

A modern office hallway with a carpeted floor and a grid ceiling with recessed lights. In the center, there is a row of white lockers. On either side of the lockers, there is a glass-enclosed pod with a white frame and a glass door. The pods are positioned in the foreground, and the lockers are in the background. The text "Framery & Covid-19" is overlaid in the center of the image.

Framery & Covid-19

**At Framery we are serious
about happiness and also about
the safety of our partners and
customers.**

We've gathered up important facts and guidelines on how to best take care of your Framery products and make people feel safe to return to their workplaces.

framery

Taking Care of Your Pod

Cleaning & Maintenance

- Researching various technologies (both for feasibility and for effectiveness)
- Pod Cleanability - durable, high quality materials
- Fabric Options - expanded array of choices
- Framery-branded Pod Disinfectant Spray

Coming Soon... Copper Plated Door Handle

Framery Cleaning Guide

Framery O
Framery Q
Framery 2Q

framery
SERIOUS ABOUT HAPPINESS



Ventilation

**Air flow rates in all Framery pods
are close to 10x higher than
minimum requirements by
International Mechanical Code.**

All air inside each Framery pod is completely turned over and refreshed every 70 to 100 seconds when occupied.

Fans remain fully engaged for 8 minutes after the last user leaves the pod. All the air inside the pod is refreshed several times over before switching to back to low voltage mode. As a result, each new user will be met with refreshed air every time they enter the pod.

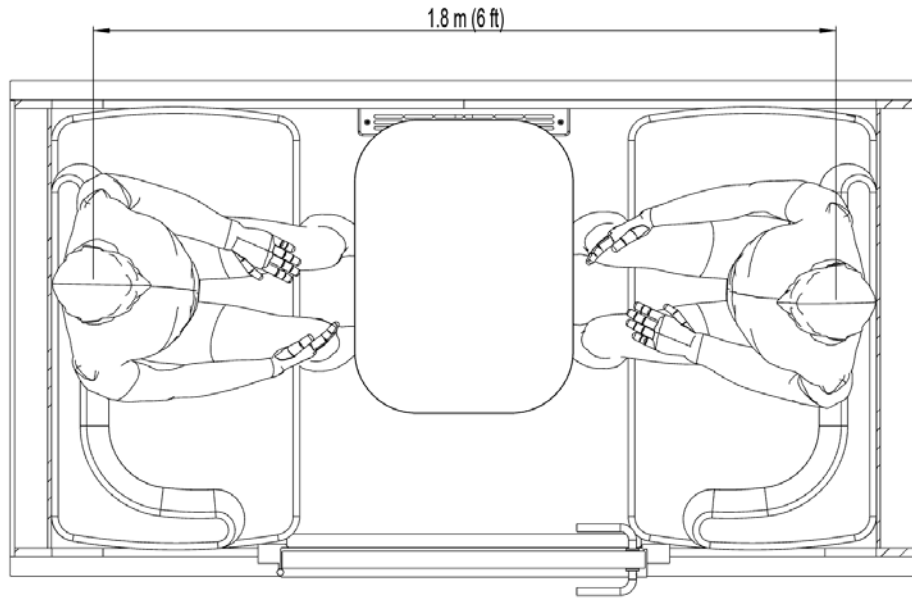
Ventilation Rates

- The minimum air flow rate in offices as defined by [International Code Council](#) is 2.4 l/s (5 CFM) per person; the amount of ventilation in Framery's products is close to *ten times* this amount
- Framery O's air flow rate is 21.5 l/s (45 CFM) = Complete turnover in 70 seconds.
- Framery Q's air flow rate is 66 l/s (140 CFM) = complete turnover in 67 seconds
- Framery 2Q's air flow rate is 121.1 l/s (256 CFM) = complete turnover in 100 seconds

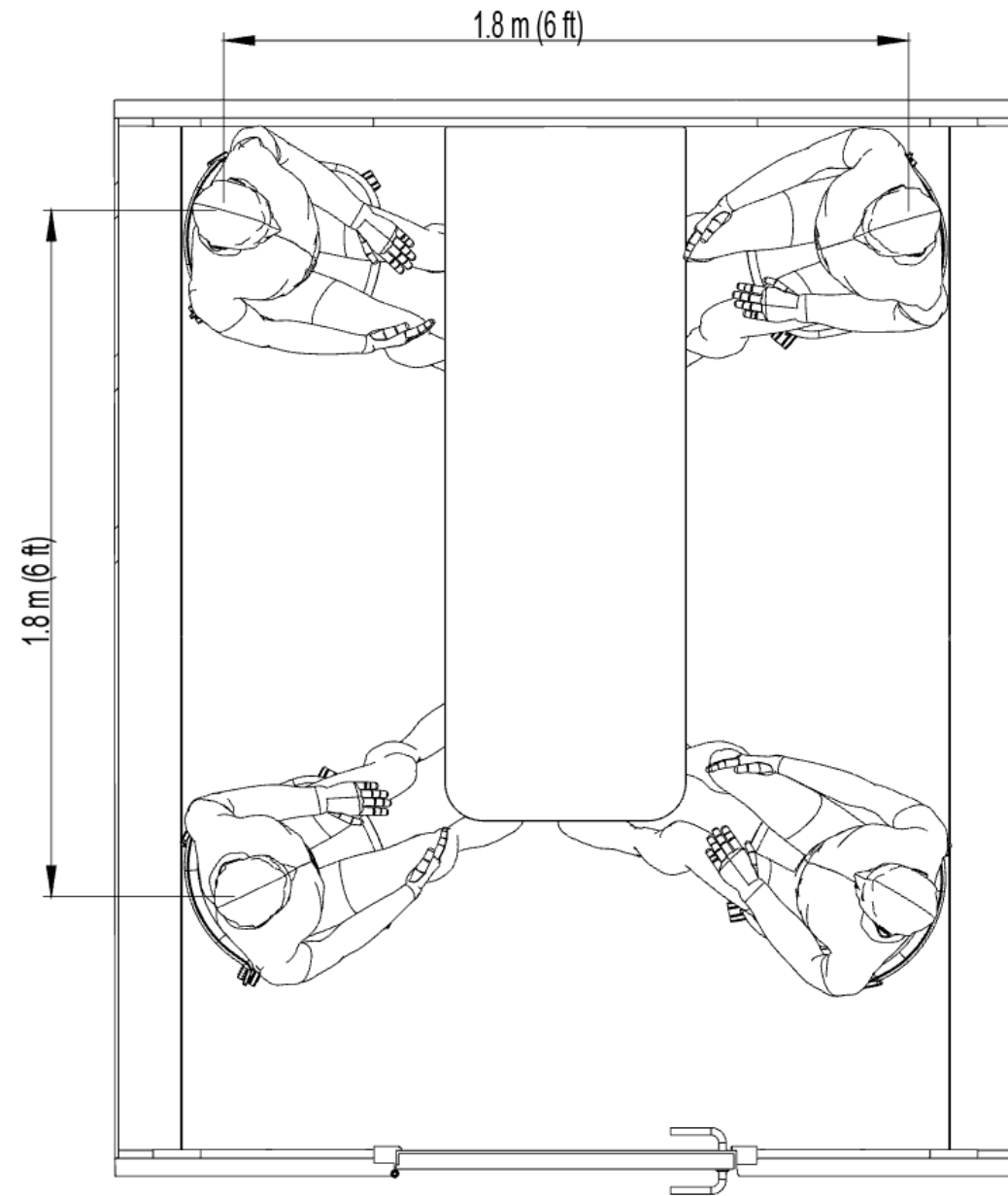


Pods and social distancing

- It is possible to maintain a 6 feet between two users in Q and four users in 2Q, but guidelines for the number occupants per room should be followed.
- Good hygiene is key in protecting yourself and others. Wash your hands regularly, keep your surroundings clean and stay at home if you are feeling sick. Naturally, we also encourage you to follow your local health authorities' recommendations.



Q : Meeting Maggie



2Q : Standard with Table

A 3D architectural rendering of an office floor plan, overlaid with a semi-transparent teal color. The rendering shows various office furniture including desks, chairs, and a large conference table. The floor plan includes dimensions and a title 'does your happy workplace look like?'.

Key Selling Points

Our meeting culture is changing.

The amount of video conferencing has increased permanently because of more remote working and less traveling, and spaces suitable for it are needed



Large conference rooms will only be able to satisfy the privacy needs of one individual



Framery 0

Standard & Video Conference Ready

Private space for video conferencing

- Telehealth applications
- Peer-to-peer video conferencing during phased return to office
- Replaces unnecessary travel
- Wide table, uninterrupted & easily cleanable work surface.

Features of VCR:

- Control panel for adjusting airflow and lighting.
- Brightness-adjustable light in ceiling and around video screen.

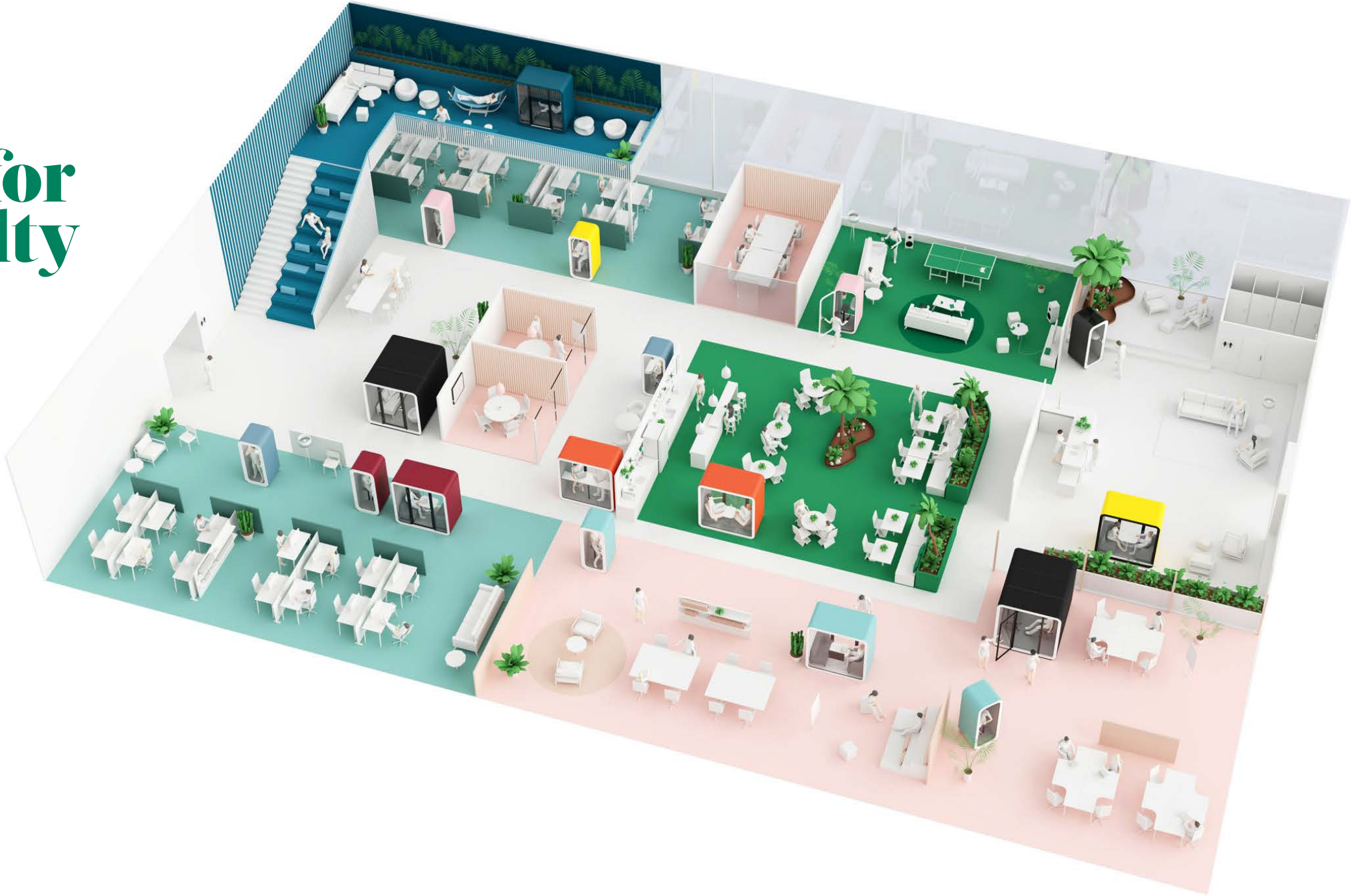




Pods can be placed so that they are available only to a limited amount of users, enabling physical privacy in addition to acoustic privacy.



Pods Allow for Flexibility



Pods can be freely placed and moved in offices that are now being repeatedly reconfigured to meet changing requirements

- Framery pods are movable, free-standing pieces of furniture
- The movability brings flexibility at the planning stage, and enables relocation in changing business environment
- A piece of furniture which moves with you means less construction work and material waste – making it a more economical, sustainable choice.



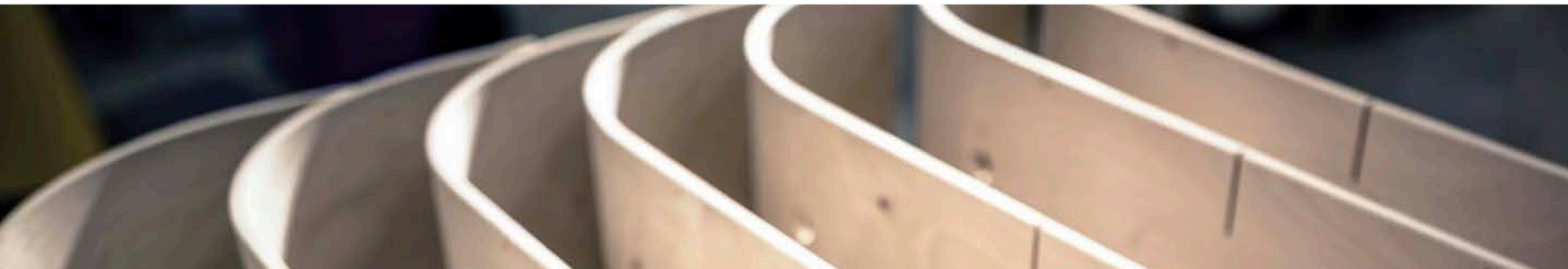
Framery products can serve as un-intrusive barriers to create sections of the office



High Quality Materials

Many competitors use materials such as chipboard and MDF, these may not withstand new intensive cleaning procedures.

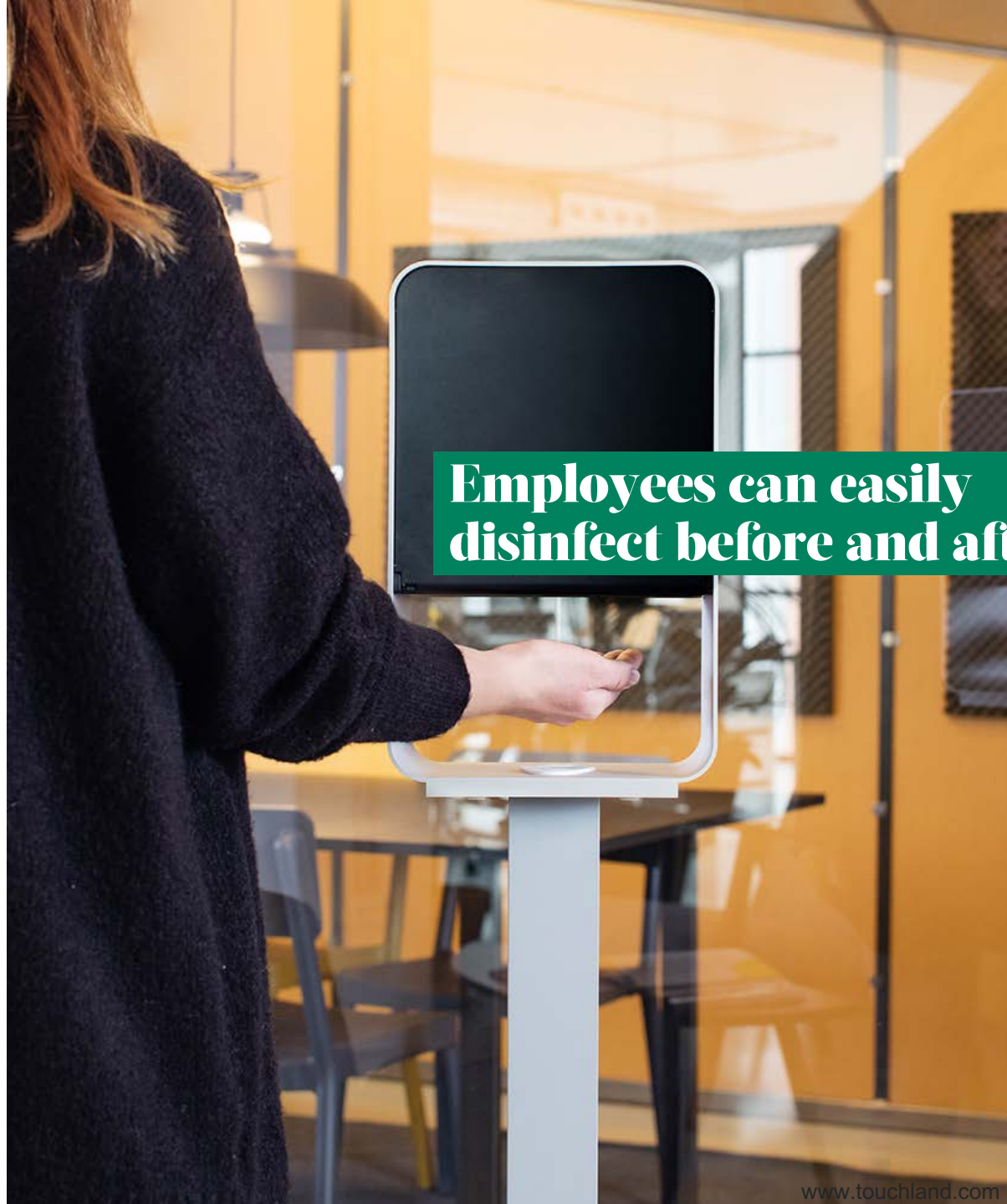
Framery uses glass, polyester fabric, felt fabric, laminated plywood, and painted steel surfaces that can be cleaned regularly.



Psychological Safety

Giving employees access to hand sanitizer can have a positive psychological affect.

Suggest placing hand sanitizers at entrance of pods to give people peace of mind for better user experience.



Employees can easily disinfect before and after use.

Thank you!

framery